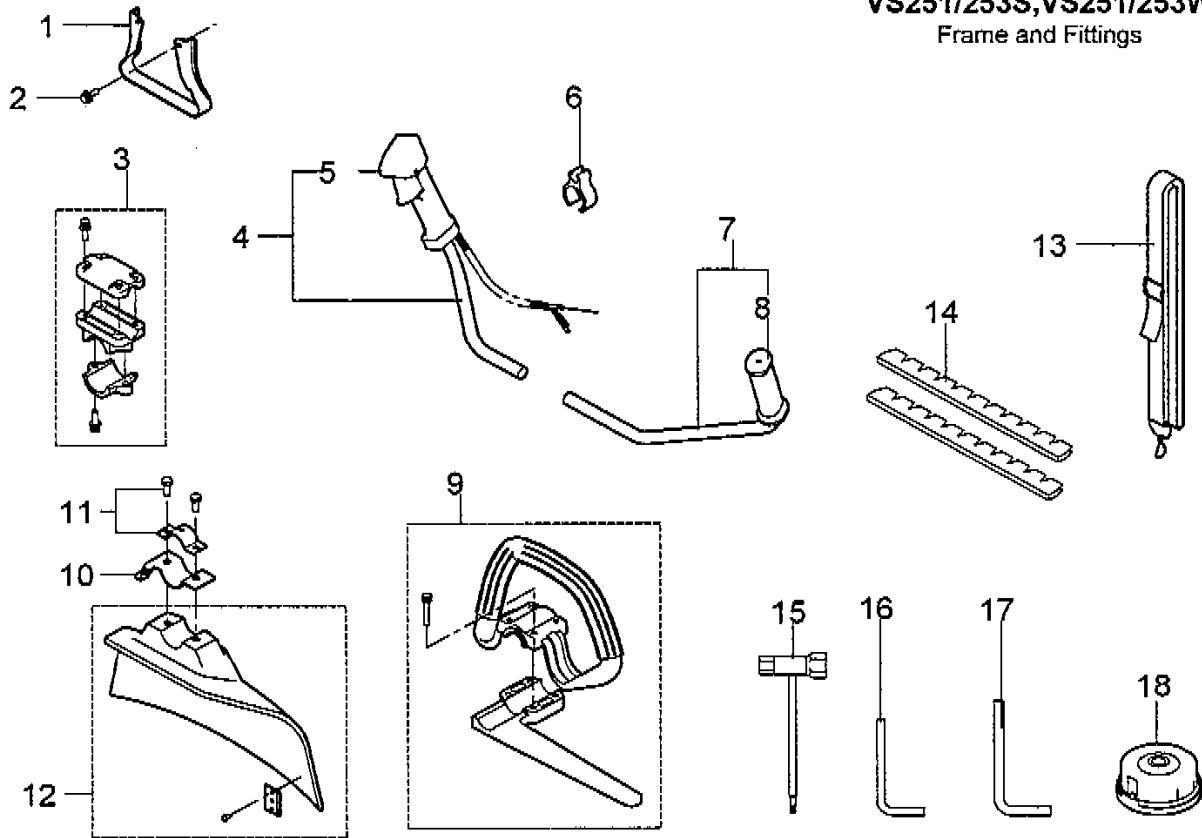
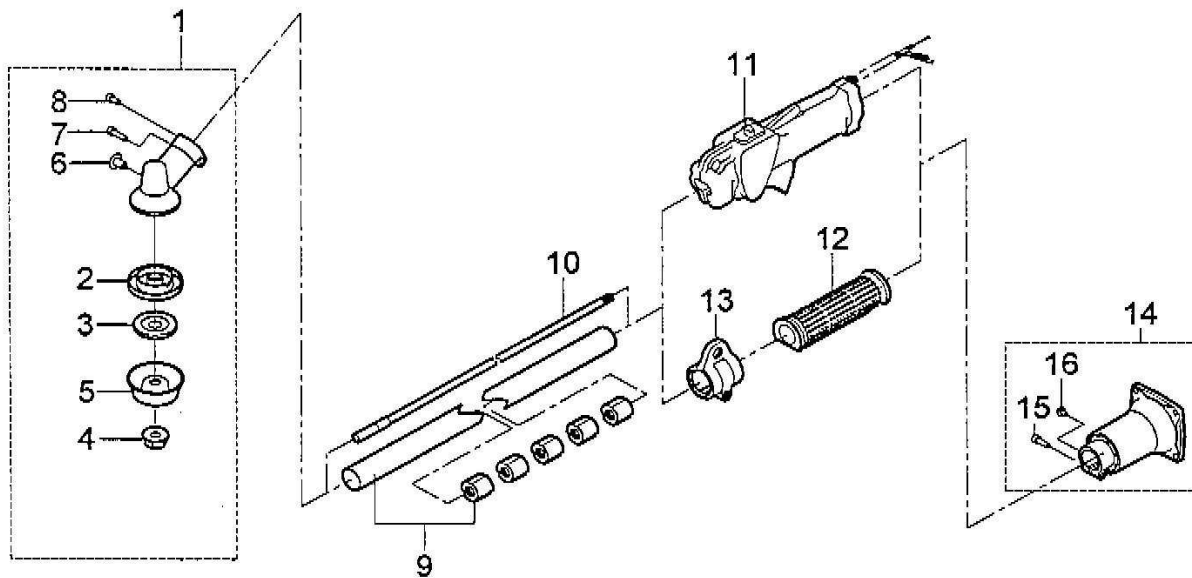


VS251/253S,VS251/253W
Frame and Fittings

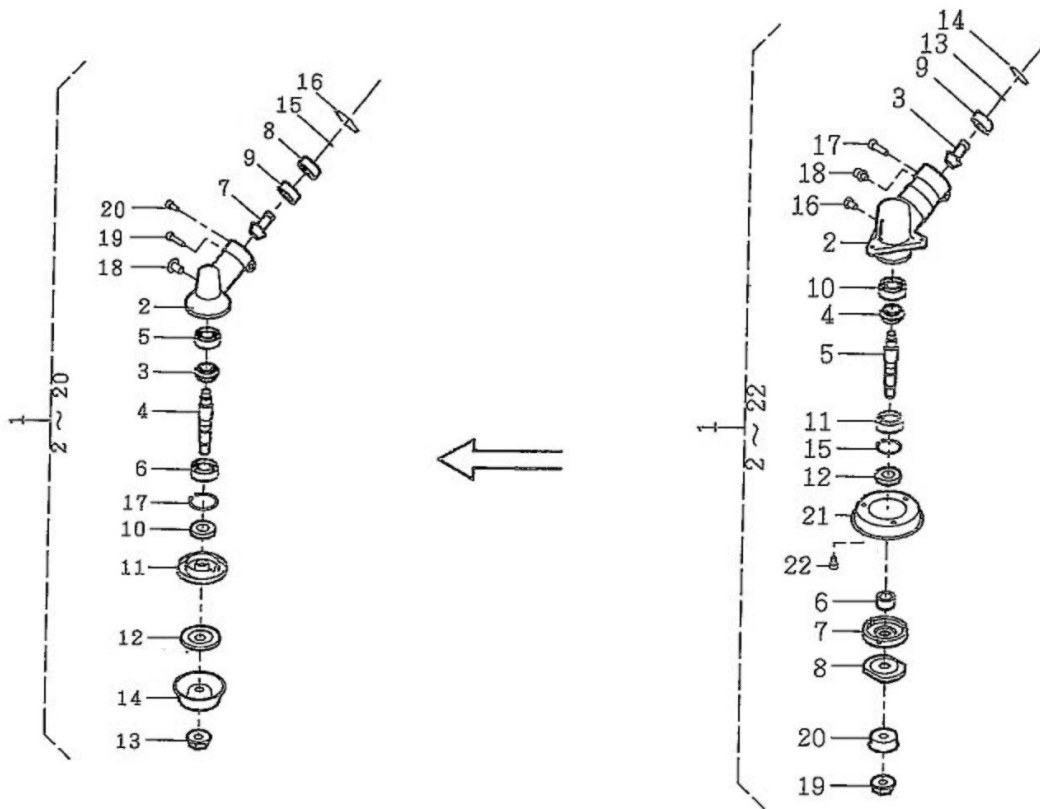


REF. No.	PARTS Lv.	PARTS NO.	PARTS NAME	Q'TY				REMARKS
				VS251S	VS253S	VS251W	VS253W	
1	1	11024 126 09	STAND	1	1	1	1	
2	1	416N 0620	SOCKET SCREW(W/SW,PW)	4	4	4	4	M6x20
3	1	71011 156	HANDLE JOINT ASS'Y			1	1	
4	1	71014 346	HANDLE ASS'Y			1		
	1	71014 360	HANDLE ASS'Y				1	
5	2	71056 223	THROTTLE LEVER ASS'Y				1	
	2	71056 225	THROTTLE LEVER ASS'Y			1		
6	1	51002 109	WIRE HOLDER			1	1	
7	1	71014 345	HANDLE ASS'Y			1	1	
8	2	36007 154	HANDLE GRIP			1	1	
9	1	71304 101	SINGLE HANDLE SET	1	1			
10	1	11029 138	SAFETY GUARD BAND	1	1	1	1	
11	1	71038 170	SAFETY GUARD BAND SET	1	1	1	1	
12	1	71303 103	SAFETY GUARD SET	1	1	1	1	
13	1	36063 189	SHOULDER BAND	1	1	1	1	
14	1	36044 107	BLADE COVER	1	1	1	1	
15	1	66006 120	BOX SPANNER	1	1	1	1	13x19
16	1	66007 103	L WRENCH	1	1	1	1	4
17	1	66007 104	L WRENCH	1	1	1	1	5
18	1	71037 182	NYLON CUTTER SET	1	1	1	1	

VS251/253S, VS251/253W
Gear case and Driving apparatus



REF. No.	PARTS Lv.	PARTS NO.	PARTS NAME	QTY				REMARKS
				VS251S	VS253S	VS251W	VS253W	
1	1	71008 357	GEAR CASE ASS'Y	1	1	1	1	
2	2	51079 119	COVER C.P.	1	1	1	1	
3	2	11002 145	HOLDER (B)	1	1	1	1	
4	2	31001 117	SAW LOCK NUT	1	1	1	1	
5	2	11027 118	STABILIZER	1	1	1	1	
6	2	322N 0810	(+)HEXAGON BOLT	1	1	1	1	M8x10
7	2	412N 0525	SOCKET SCREW	1	1	1	1	M5x25
8	2	413N 0515	SOCKET SCREW (W/SW)	1	1	1	1	M5x15
9	2	71130 174	AIN PIPE C.P.	1	1	1	1	
10	2	64011 163	MAIN SHAFT	1	1	1	1	
11	1	71056 216	THROTTLE LEVER ASS'Y		1			
	1	71056 229	THROTTLE LEVER ASS'Y	1				
12	1	36011 104	MAIN GRIP			1	1	
13	1	71012 136	HANGER BAND ASS'Y			1	1	
14	1	71010 246 65	CLUTCH CASE ASS'Y	1	1	1	1	
14A	1	11014 14 9	CLUTCH DRUM	1	1	1	1	Solo Campana
15	2	412N 0525	SOCKET SCREW	1	1	1	1	M5x10
16	2	413N 0510	SOCKET SCREW (W/SW)	1	1	1	1	M5x25



APPLIED MODEL:VS255 VSP250

NO.	P/NO.	P/NAME	Q'TY
1	71008 357	GEAR CASE ASSY	1
2	51001 272	GEAR CASE	1
3	78001 139	BEVEL GEAR	1
4	64001 173	SPLINE SHAFT	1
5	913B 0626	BEARING	1
6	919B 6001	BEARING	1
7	78002 155	BEVEL PINION	1
8	916B 0609	BEARING	1
9	913B 0609	BEARING	1
10	61002 196	OIL SEAL	1
11	51079 119	COVER C.P.	1
12	11002 145	HOLDER B	1
13	31001 117	SAW LOCK NUT	1
14	11027 118	STABILIZER	1
15	812V 0900	SNAP RING	1
16	811V 2400	SNAP RING	1
17	811V 2800	SNAP RING	1
18	322N 0810	(+)BOLT	1
19	412N 0525	SOCKET SCREW	1
20	413N 0515	SOCKET SCREW(SW)	1

NO.	P/NO.	P/NAME	Q'TY
1	71008 338	GEAR CASE ASSY	1
2	51001 218	GEAR CASE	1
3	78002 149	BEVEL PINION	1
4	78001 134	BEVEL GEAR	1
5	64001 147	SPLINE SHAFT	1
6	61001 120	SPLINE SLEEVE	1
7	11001 151	HOLDER A	1
8	11002 125	HOLDER B	1
9	952B 0609	BEARING	1
10	913B 0627	BEARING	1
11	919B 6001	BEARING	1
12	61002 123	OIL SEAL	1
13	812V 0900	SNAP RING	1
14	811V 2400	SNAP RING	1
15	811V 2800	SNAP RING	1
16	322N 0810	(+)BOLT	1
17	412N 0525	SOCKET SCREW	1
18	413N 0515	SOCKET SCREW	1
19	31001 117	SAW LOCK NUT	1
20	36068 106	GUARD	1
21	11004 127 09	GRASS COVER	1
22	413N 0510	(+)BOLT	3